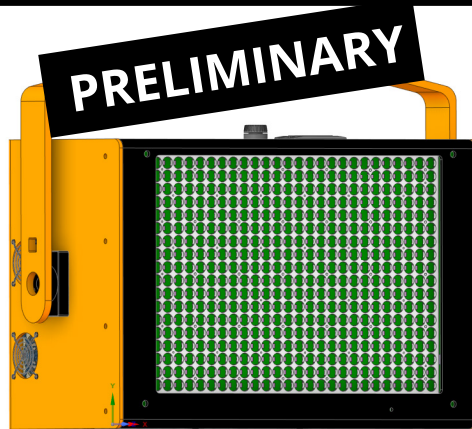




LX DC48V



LX AC

Exchangeable lenses  
 200.000 lm white or blue  
 Pulsed or continuous  
 Down to 300 ns strobe  
 AC or 43 V DC version  
 Optional boost mode:  
 500.000 lm strobed

## WE BUILD THINGS THAT WORK THE WAY YOU WISH THEY WOULD.

MultiLED products cover all applications of high speed cameras and many applications in the machine vision market. Some models e.g. cover sub microsecond exposure time, monochromatic light or give you enough light to fully close aperture at some microseconds exposure time. Designed from a decade of experience with thousands of customer projects in mind, MultiLED products offer ultra strong lighting at an affordable price.

white  
 455 nm

### MULTILED LX - KEY FEATURES

The MultiLED LX is a standalone lamp head for continuous or strobed operation in two versions (AC or DC). With the optional MultiLED GX8 controller connected, you can access a lot more functionality:

- Preinstalled lens (horizontal x vertical): 18°x18°
- Additional lenses (horizontal x vertical): 35°x35° - 45°x45° - 60°x60° - 30°x18° - 60°x18°
- 200.000 lumen continuous or strobe operation
- Yoke, pan, tilt (lock)
- Uses MULTILED GEN4 System cable for communication
- AC version with integrated power supply, for long and thin cables
- DC version 43 V DC input, lighter and smaller than AC version but thicker and shorter cables to remotely placed power supply.

#### MULTILED LX Boost option

- Adaptive boost: If you strobe at a reduced duty cycle in edge mode you can increase the output up to 500.000 lm scaling with reduced duty cycle

#### Advanced features when connected to MultiLed GX8:

New GS Vitec „ultra high speed strobe“ technology  
 Power supply mounted on the back of the unit or on a cable  
 Control up to 8 LX from one GX8 controller  
 Each LX unit has its own power supply

- Down to 200/100 nanoseconds strobe length (white/color LED)
- Pulse delay: 220 ns
- Pulse rise time: 100 ns
- Pulse fall time: (white/color LED) 350 ns / 60 ns
- Shortest usable pulswidth: (white/color LED) 200 ns / 100 ns
- Continuous, pulse duration, edge mode with predefined strobe time
- Adjustable intensity for each channel: 1% to 100%
- Temperature and status display for each lamp head
- All communications and trigger come from the GX8 through the system cable



### VALUE SERIES

#### MULTILED LX

Luminous flux	White (5.700K), 200.000 lumen
Power	2.000 W
Supply voltage	43 Vdc or wide range AC
Bundled PS	AC version: built in 2.000 W, 43 V DC version: 19" rack or other (ask)
Connector	1x molex 8 pin for data C13 for AC version Or speakon connector for DC 42 V
Heat dissipation	Active, heatsink and fan
Environment temp. (operation)	-23°C - +50°C (100% continuous +35°C)
temp. (Storage)	-25°C - 80°C
Overtemperature protection	Sensor onboard
IP class	IP 20
Mounting options	Yoke, pan, tilt (lock)
Standard lenses	18° x 18° (horizontal x vertical)
Optional lenses (LX Plus)	35°x35° - 45°x45° - 60°x60° - 30°x18° 60°x18° (horizontal x vertical)
Dimensions	See drawing
Weight	AC version: 11,5 kg DC version: 8,2 kg
Setup	Standalone or with GX8 controller
LED	468
Housing	Aluminium
Light modes	Continuous, pulse duration, edge mode with predefined strobe time
Light Intensity	Adjustable, 1%-100%/Off

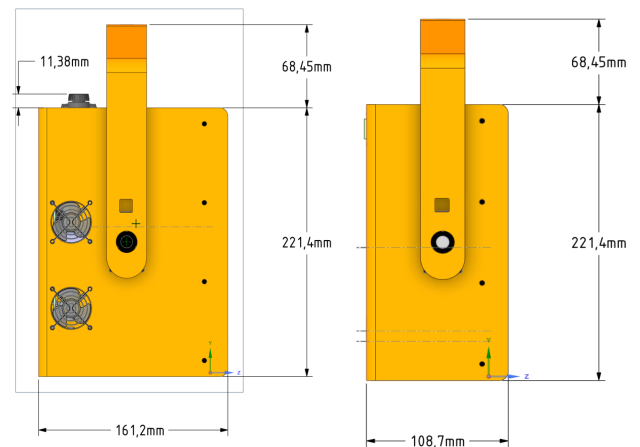
#### ALTERNATIVE LED TYPES

Color	Peak wavelength nm/K	Luminous flux lm	Radiant flux mW
Standard	5.700 K	200.000	-
Blue	440nm - 460nm	-	468.000
Cold White	6.500 K	200.000	-

For a more narrow wavelength selection, please contact us.

#### Timing with GX8

	LX white	LX color
Delay (level mode)	tbd	tbd
Delay (edge mode)	tbd	tbd
Rise time	tbd	tbd
Fall time	tbd	tbd
Shortest usable	tbd	tbd



LX DC42V

LX AC

#### MULTILED LX Boost

White LED	Adaptive boost: you can increase the output up 500.000 lm (scaling with reduced duty cycle)
Blue LED	Adaptive boost: you can increase the output up 1.750.000 mW (scaling with reduced duty cycle)

